

FEED AND BIOFUEL
FILTER
TYPE EFF106WB

Filter of optimum design for efficient dust separation at low operating cost. Filter type EFF-WB is used for removal of dry dust, especially in large quantities, abrasive dust, or dust with low rates of fall. The product range consists of a fully automatic, continuously operating bag filter cleaned by compressed air and built in series, containing from 10 to

260 bags measuring 1,200 to 4,800 mm in length. Filter areas range from 4 to 470 m².

By combining the best, tested components with newly developed cleaning nozzles providing optimum flow, a hitherto unseen low energy consumption has been achieved for compressed air cleaning of filter bags.

The EFF filter is designed as insertable, cased or free-standing filters with cone or scraper bottom.

COMPRESSED AIR CLEANING OF FILTER BAGS

Optimum adjustment of cleaning pressure and -cycles to every specific job ensures efficient dust separation, low emissions, and long filter bag life.

ANDRITZ

ENGINEERED SUCCESS

FILTER MEDIA

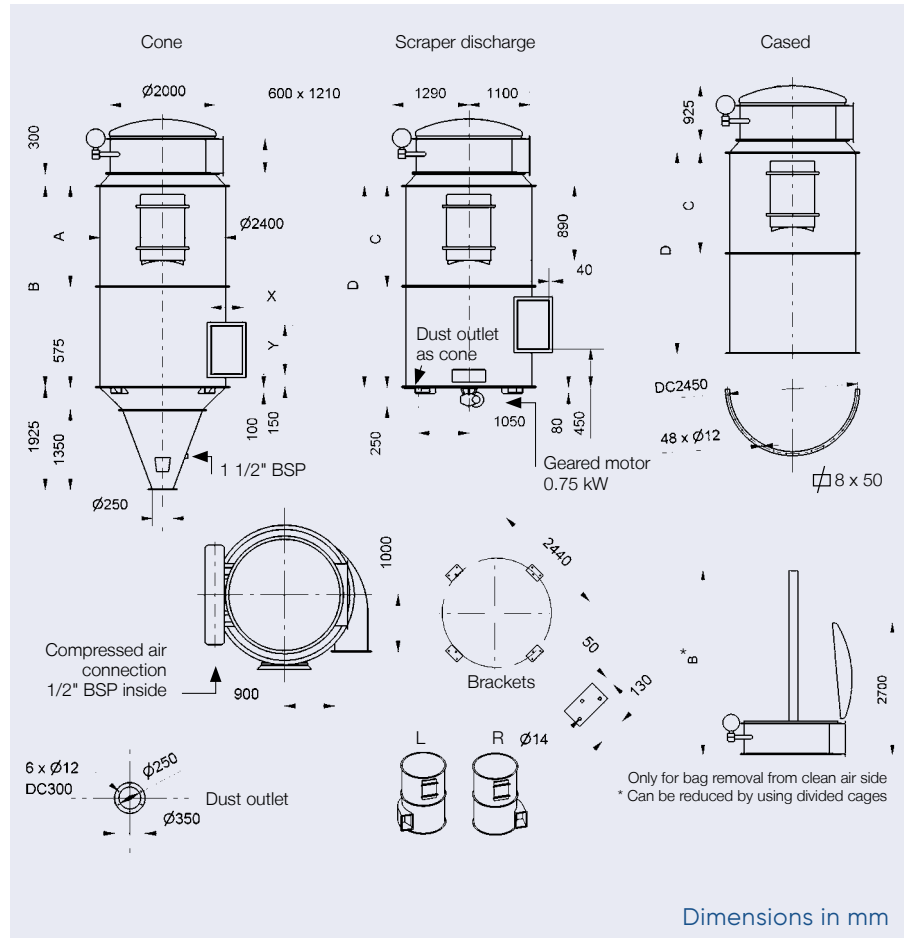
Top-quality filter media selected for specific applications based on requirements relating to service life, emissions, differential pressure, and so on.

FILTER BAG CHANGING

The filter bags can be changed either from the clean/the dusty air side.

ACCESSORIES AND SPECIAL EQUIPMENT

- Electronic controls with advanced functions and energy-saving Δp operation
- Emission metering equipment
- Rotary valves
- Manufactured in alternative steel qualities and with alternative surface treatment
- Platforms, ladders, supports, dust containers
- Insulation, heating
- Designed for high temperature and underpressure
- Explosion protection documented acc. to EN14491



TECHNICAL DATA

Filter Type	Filter area m ²	Air flow m ³ /h	Dimensions mm				Compressed air NI/min *	Weight kg			
			A	B	C	D		Hopper	Total sep.	Cased	Insertable
106/2400	96	17300		2100		2400	215	1800	1900	1405	815
106/3000	120	21600	1200	2700	1200	3000	215	2050	2150	1635	890
106/3600	144	25900	1500	3300	1800	3600	215	2265	2365	1815	965
106/4200	168	32400	1800	3900	1800	4200	280	2465	2565	1990	1035
106/4800	192	34600	2100	4500	2400	4800	280	2700	2800	2175	1110

* at 180 sec. cycle

INLET DIMENSIONS

Air volume [m ³ /h]	X	Y
7700 - 14000	460	585
14000 - 25000	585	835
25000 - 45000	710	1210

ANDRITZ Feed and Biofuel A/S

andritz-fb.dk@andritz.com

p: +45 72 160 300 / andritz.com/ft



All data, information, statements, photographs and graphic illustrations in this leaflet are without any obligation and raise no liabilities to or form part of any sales contracts of ANDRITZ AG or any affiliates for equipment and/or systems referred to herein. © ANDRITZ AG 2021. All rights reserved. No part of this copyrighted work may be reproduced, modified or distributed in any form or by any means, or stored in any database or retrieval system, without the prior written permission of ANDRITZ AG or its affiliates. Due to legal requirements, we must inform you that ANDRITZ AG processes your data for the purposes informing you about the ANDRITZ GROUP and its activities. Find out more details about our data privacy declaration and your rights under the data protection legislation on our website: andritz.com/privacy. ANDRITZ AG, Stattegger Strasse 18, 8045 Graz, Austria.



1598 GB